



*Quality Products. Service Excellence.*

## 94-169 CFM Filterfans *PF GEN4 Series*

Type 12

### Features

- Maintains a UL Tested NEMA Type 12 seal against enclosure
- UL Recognized to UL 508A, category NITW2/8, UL File #E175229
- Patented "Click & Fit" design provides a hardware-free installation
- Plastic made from strong, heat resistant ABS-FR, UL 94 V0 fire approved material
- Fan Motor is CSA Approved

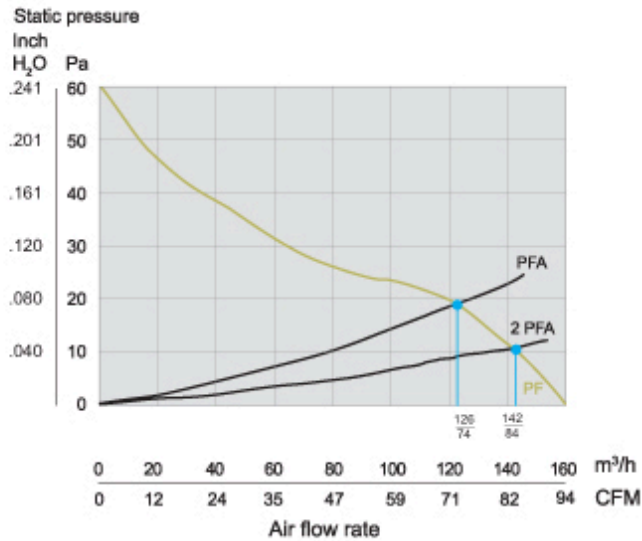
### Accessories

- Exhaust Filters
- Filterfan Rainhoods - 4/4X
- Thermostats
- Replacement Filters
- Filterfan Rainhoods - 3R

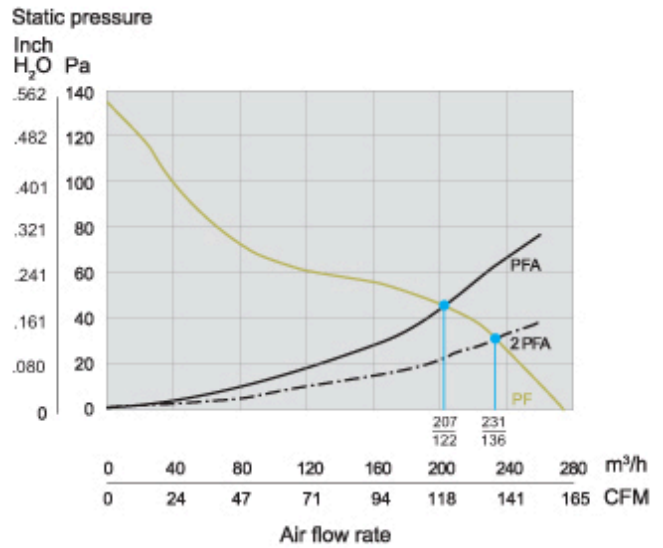


**Airflow Data:**

**PF 42.500 IP55 / PFA 40.000 IP55**

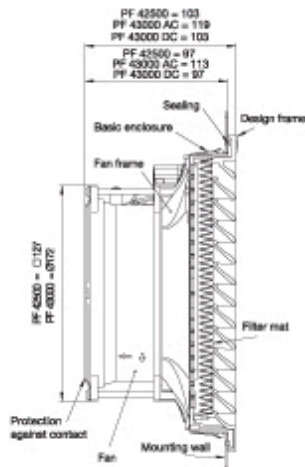


**PF 43.000 IP55 / PFA 40.000 IP55**

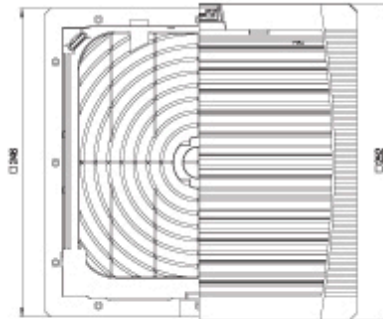


**Mechanical Data:**

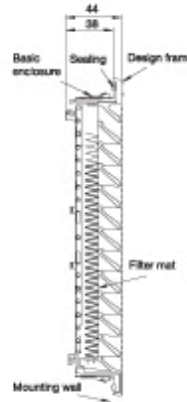
PF 42500, PF 43000



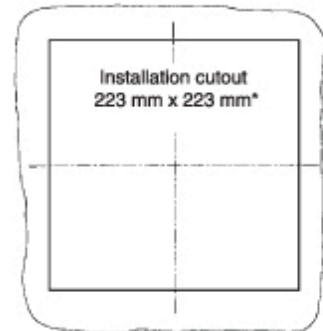
PF 42500 PF 43000, PFA 40000



PFA 40000



PF 42500, PF 43000 + PFA 40000



Part No.	Part No.	Exhaust Filter			
		RAL7035	RAL9011	RAL7035	RAL9011
Light Gray	Black	Light Gray	Black	Light Gray	Black
PF42500T12LG	PF42500T12BK	115V AC	20W	PFA40000LG	PFA40000BK
PF42500T12LG230	PF42500T12BK230	230V AC	18W	PFA40000LG	PFA40000BK
PF42500T12LG24	PF42500T12BK24	24V DC	5W	PFA40000LG	PFA40000BK
PF43000T12LG	PF43000T12BK	115V AC	40W	PFA40000LG	PFA40000BK
PF43000T12LG230	PF43000T12BK230	230V AC	39W	PFA40000LG	PFA40000BK
PF43000T12LG24	PF43000T12BK24	24V DC	12W	PFA40000LG	PFA40000BK

Airflow data	PF 42500	PF 43000	PFA 40000
Filter material	NEMA Type 12 Filtermat	NEMA Type 12 Filtermat	NEMA Type 12 Filtermat
Unimpeded airflow	94 CFM	169 CFM	-
Capacity free-flow	53 W/K	188 W/K	-
Airflow in combination	67 CFM	142 CFM	-

Airflow data	PF 42500	PF 43000	PFA 40000
(Filterfan + Exhaust Filter)	(PF 42500 + PFA 40000)	(PF 43000 + PFA 40000)	-
Capacity in combination	38 W/K	69 W/K	-
(Filterfan + Exhaust Filter)	(PF 43000 + PFA 40000)	(PF 43000 + PFA 40000)	-
Max. static pressure (Airflow = 0 m3/h)	49 Pa	112 Pa	-
Filtration efficiency	0.91	0.91	0.91
Filter material grade	G 4 (DIN EN 779)	G 4 (DIN EN 779)	G 4 (DIN EN 779)
Duty cycle	1	1	-

Technical data	PF 42500 AC/DC	PF 43000 AC/DC	PFA 40000
Outside dimensions in mm (height x width x installation depth)	252 x 252 x 97	252 x 252 x 113	252 x 252 x 38
Bearing type / Lagerart	ball bearings		-
Fitting position / Einbaulage	any, horizontal airflow preferred		any
Construction	housing and guard of sprayed thermoplastic, self-extinguishing, UL 94 VO		
Weight	1.18 kg	1.67 kg	0.46 kg
Safety protection	in accordance with DIN 31 001		
Color LG	RAL 7035, Light Grey		
Color BK	RAL9011 Black		
Connections / Anschlussart	cage clamp	cage clamp	-
Noise Level (EN ISO 3741)	43 dB (A)	46 dB (A)	

Supplementary data	PF 42500	PF 43000	PFA 40000
Operating temperature	- 15 °C (- 5 °F) to / bis + 55 °C (+ 131 °F)		
Storage temperature	- 20 °C (- 4 °F) to / bis + 70 °C (+ 158 °F)		
Max. relative humidity	0.9		
System of protection	NEMA Type 12, IP 55 (EN 60 529), when installed as specified		
Basic Accessories	parts kit filter mat, user manual radiant heater, fan heater, thermostat, hygrostat		
Approvals	UL Recognized		
* Tolerance installation cutout	223 + 1/-0 thickness of material to 2 mm		
	224 + 1/-0 thickness of material > 2 mm < 3 mm		

Tags: **filterfan, fan, grill, CFM, airflow, filtration, filter**

*Data subject to change without notice*

© 2024. Hammond Manufacturing Ltd. All rights reserved.